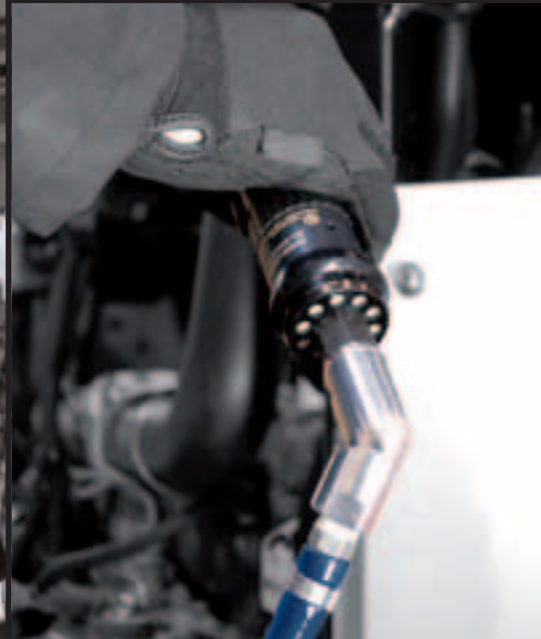




Chicago Pneumatic



**Air Line
Accessories**

People. Passion. Performance.

Chicago Pneumatic Air Line Accessories



Chicago Pneumatic Air Line Accessories are specially developed to be used with Chicago Pneumatic Tools & Equipments.

Chicago Pneumatic Airline Accessories can also be used with other pneumatic products.

All accessories can be used for other applications with any pneumatic equipments.



When developing the Chicago Pneumatic Air Line Accessories range, we have focused on Performance, Quality, Ergonomics and Safety. Based on this, we now offer a wide range of accessories for optimal air line installation.

Our accessories enable to reach higher productivity with lower energy consumption, a sustainable reduction of energy costs and an extended lifetime of your tools.

Performance

In order to get the best performance out of your air line installation it is key to supply air at a constant pressure (6.3 bar) This, together with minimizing the pressure drop, is the primary focus when designing the Chicago Pneumatic couplings, hoses and FRLs.

The result is not only a better performance in terms of a reduction of energy costs but also in a better lifetime of the tools.

Ergonomics and Safety

To further improve the comfort of use for our customers we now offer hoses in our EFFI line with lower weight and more flexible. In combination with Easy Flow, Safety couplings, Airflex and high quality balancers you can build up a workplace where the operators' safety and ergonomics are in focus.

Quality

All our products are developed to perform in industrial applications. Chicago Pneumatic Accessories are made with the highest quality materials to ensure the best possible performance and lifetime of the tools.

Contents

Selection Guide Easy flow ISO, Euro, Asia		4
Air Preparation Units Filters, Regulators, Lubricators		12
Hoses PVC, Rubber and Polyurethane hoses		13
Hose Reels		15
Couplings EF Couplings, Nipples, Claw Couplings		16
Connecting Accessories Reducers, Ball valves, Air Flex, Swivel Air Inlet		20
Hose Clamps		20
Fittings - Manifold		21
Lubrication Air tool oil, Airoilene oil, Mini oiler		22
Others Accessories Air flow regulator, Air fuses, Blow gun		22
Test Equipment Air tool simulator		23
Balancers		24

Selection Guide

KIT : BSP + EASY FLOW EURO SERIES COUPLINGS/NIPPLES



		TOOL MODEL	FRL KIT	HOSE KIT	HOSE WHIP	AIR FLEX	CLOSED HOSE REEL KIT	OPEN HOSE REEL KIT
Impacts								
	1/4"	CP203x / CP204x / CP719	615 398 0375	615 398 0565		615 804 7460	615 398 0505	615 398 0695
	3/8"	CP721 / CP7722 / CP724H / CP7735 / CP6031 / CP6300 / CP95xx	615 398 0375	615 398 0565		615 804 7460	615 398 0505	615 398 0695
	1/2"	All the range	615 398 0375	615 398 0565		615 804 7460		615 398 0695
	3/4"	CP77xx / CP9560 / CP80xx / CP6060 / CP82xx	615 398 0375	615 398 0575		615 804 7480		
		CP9561	615 398 0375	615 398 0565		615 804 7460		615 398 0695
	1"	CP6060 / CP7773 / CP80xx / CP893	615 398 0375	615 398 0575		615 804 7480		
	1"	CP061x / CP69xx / CP89x / CP777x / CP796 / CP7640 / CP5000	615 398 0385	615 398 0585	615 398 0455	615 804 7500		
	1-1/2"	CP6120 / CP0614	615 398 0385	615 398 0585	615 398 0455	615 804 7500		
Ratchets								
	1/4" & 3/8"	CP82xx / CP78xx / CP942x / CP886	615 398 0375	615 398 0565		615 804 7460	615 398 0505	615 398 0695
	3/8" & 1/2"	CP886H / CP78xx	615 398 0375	615 398 0565		615 804 7460	615 398 0505	615 398 0695
Screwdrivers								
	DD & positive	CP27xx	615 398 0375	615 398 0565		615 804 7460	615 398 0505	615 398 0695
	Cushion	CP78xx / CP26xx / CP20xx	615 398 0375	615 398 0565		615 804 7460		615 398 0695
	Shut Off	CP200x	615 398 0365	615 398 0555		615 804 7460	615 398 0505	615 398 0685
	Shut Off	CP26xx / CP201x	615 398 0375	615 398 0565		615 804 7460		615 398 0695
Grinders								
	Mini Die	CP3019 / CP3000-600CR	615 398 0375	615 398 0565		615 804 7460	615 398 0505	615 398 0695
	Die	CP3000 / CP3030	615 398 0375	615 398 0565		615 804 7460		615 398 0695
	Big Die	CP3109 / CP3119 / CP3040 / CP9113 / CP3451	615 398 0375	615 398 0575		615 804 7480		
	Straight	CP3249	615 398 0385	615 398 0585	615 398 0455	615 804 7500		
	Angle	CP3450	615 398 0375	615 398 0575	615 398 0445	615 804 7480		
	Angle	CP3241	615 398 0385	615 398 0585	615 398 0445	615 804 7480		
	Angle	CP3349	615 398 0385	615 398 0585	615 398 0455	615 804 7500		
Sanders								
	Random orbital	CP7225 / CP7255 / CP7215 / CP35xx / CP9534 / CP9674	615 398 0375	615 398 0565		615 804 7460	615 398 0505	615 398 0695
	Angle	CP30xx / CP9778 / CP7200 / CP7201 / CP7202	615 398 0375	615 398 0565		615 804 7460		615 398 0695
	Polishers	CP86xx	615 398 0375	615 398 0565		615 804 7460		615 398 0695
	Belt sanders	CP5080 / CP858 / CP9779 / CP9780	615 398 0375	615 398 0565		615 804 7460		615 398 0695
Hammers								
	Chipping hammers	CP71x / CP9537 / CP7110	615 398 0375	615 398 0565		615 804 7460	615 398 0505	615 398 0695
	Scalers	B14 / B23	615 398 0375	615 398 0565		615 804 7460	615 398 0505	615 398 0695
	Scalers	B20	615 398 0365	615 398 0555		615 804 7460	615 398 0495	615 398 0685
	Needle scalars	CP0951 / CP0952	615 398 0375	615 398 0565		615 804 7460	615 398 0505	615 398 0695
	Needle scalars	CP9536 / CP7120	615 398 0375	615 398 0565		615 804 7460	615 398 0505	615 398 0695
Drills								
	1/4"	CP7300	615 398 0365	615 398 0555		615 804 7460	615 398 0495	615 398 0685
	3/8"	All the range	615 398 0375	615 398 0565		615 804 7460		615 398 0695
	1/2"	All the range	615 398 0375	615 398 0565		615 804 7460		615 398 0695
Specialty tools								
	Saws	CP9881 / CP7901 / CP7900 / CP881	615 398 0375	615 398 0565		615 804 7460	615 398 0505	615 398 0695
	Tire buffers & cutters	CP871 / CP873 / CP861 / CP874	615 398 0375	615 398 0565		615 804 7460	615 398 0505	615 398 0695
	Shear, nibbler & air files	CP835 / CP785S / CP9705 / CP9710	615 398 0375	615 398 0565		615 804 7460	615 398 0505	615 398 0695
	Riveters & caulking gun	CP9883 / CP9884 / CP9885	615 398 0375	615 398 0565		615 804 7460	615 398 0505	615 398 0695
	Engraving pen	CP710 / CP9361 / CP9160	615 398 0365	615 398 0555		615 804 7460	615 398 0495	615 398 0685

Selection Guide

KIT : BSP + EASY FLOW EURO SERIES COUPLINGS/NIPPLES



KIT DESCRIPTION	PART NUMBER	KIT CONTENT
FRL KIT		
	615 398 0365	1/4" BSP Ball valve + 2 Stage 1/4" FRL + 1/4" EF Coupling EURO 7,6mm
	615 398 0375	1/2" BSP Ball valve + 2 Stage 1/2" FRL + 1/2" EF Coupling EURO 7,6mm
	615 398 0385	3/4" BSP Ball valve + 2 Stage 3/4" FRL + 3/4" EF Coupling EURO 10,4mm
HOSE KIT		
	615 398 0555	Hose Kit: 1/4" EF Nipple EURO 7,6mm + 8m 1/4" Polyuretane hose + EF Coupling EURO 7,6mm Nipple's kit for tool 1/4" & 1/8"
	615 398 0565	Hose Kit: 1/4" EF Nipple EURO 7,6mm + 8m 3/8" Polyuretane hose + EF Coupling EURO 7,6mm Nipple's kit for 1/4" & 1/8" tool inlet
	615 398 0575	Hose Kit: 3/8" EF Nipple EURO 7,6mm + 8m 1/2" Polyuretane hose + EF Coupling EURO 7,6mm Nipple's kit for 3/8" tool inlet
	615 398 0585	Hose Kit: 1/2" EF Nipple EURO 10,4mm + 8m 5/8" Polyuretane hose + EF Coupling EURO 10,4mm Nipple's kit for 3/8" & 1/2" tool inlet
HOSE WHIP KIT		
	615 398 0445	Rubber hose whip 3/8" BSP 13mm ID + EF Nipple EURO 10,4mm
	615 398 0455	Rubber hose whip 1/2" BSP 16mm ID + EF Nipple EURO 10,4mm
CLOSED HOSE REEL KIT		
	615 398 0495	HRS Polyurethane Hose Reel 8mm ID, 10m length + EF Nipple and Coupling EURO 7,6mm
	615 3980 505	HRM Polyurethane Hose Reel 10mm ID, 10m length + EF Nipple and Coupling EURO 7,6mm
OPEN HOSE REEL KIT		
	615 398 0685	HROM Polyurethane Hose Reel 10mm ID, 16m length + EF Nipple and Coupling EURO 7,6mm
	615 398 0695	HROL Polyurethane Hose Reel 13mm ID, 16m length + EF Nipple and Coupling EURO 7,6mm

Selection Guide

KIT : NPT + EASY FLOW ISO 6150B MIL-C4109 COUPLINGS/NIPPLES



		TOOL MODEL	FRL KIT	HOSE KIT	HOSE WHIP	AIR FLEX	CLOSED HOSE REEL KIT	OPEN HOSE REEL KIT
Impacts								
	1/4"	CP203x / CP204x / CP719	615 398 0405	615 398 0605		615 804 7470	615 398 0525	615 398 0715
	3/8"	CP721 / CP7722 / CP724H / CP7735 / CP6031 / CP6300 / CP95xx	615 398 0405	615 398 0605		615 804 7470	615 398 0525	615 398 0715
	1/2"	All the range	615 398 0405	615 398 0605		615 804 7470		615 398 0715
	3/4"	CP77xx / CP9560 / CP80xx / CP6060 / CP82xx	615 398 0405	615 398 0615		615 804 7490		
		CP9561	615 398 0405	615 398 0605		615 804 7470		615 398 0715
	1"	CP6060 / CP7773 / CP80xx / CP893	615 398 0405	615 398 0615		615 804 7490		
	1"	CP061x / CP69xx / CP89x / CP777x / CP796 / CP7640 / CP5000	615 398 0415	615 398 0635	615 398 0475	615 804 7510		
	1-1/2"	CP6120 / CP0614	615 398 0415	615 398 0635	615 398 0475	615 804 7510		
Ratchets								
	1/4" & 3/8"	CP82xx / CP78xx / CP942x / CP886	615 398 0405	615 398 0605		615 804 7470	615 398 0525	615 398 0715
	3/8" & 1/2"	CP886H / CP78xx	615 398 0405	615 398 0605		615 804 7470	615 398 0525	615 398 0715
Screwdrivers								
	DD & positive	CP27xx	615 398 0405	615 398 0605		615 804 7470	615 398 0525	615 398 0715
	Cushion	CP78x / CP26xx / CP20xx	615 398 0405	615 398 0605		615 804 7470	615 398 0525	615 398 0715
	Shut Off	CP200x	615 398 0395	615 398 0625		615 804 7470	615 398 0515	615 398 0705
	Shut Off	CP26xx / CP201x	615 398 0405	615 398 0605		615 804 7470	615 398 0525	615 398 0715
Grinders								
	Mini Die	CP3019 / CP3000-600CR	615 398 0405	615 398 0605		615 804 7470	615 398 0525	615 398 0715
	Die	CP3000 / CP3030	615 398 0405	615 398 0605		615 804 7470		615 398 0715
	Big Die	CP3109 / CP3119 / CP3040 / CP9113 / CP3451	615 398 0405	615 398 0615		615 804 7490		
	Straight	CP3249	615 398 0415	615 398 0635	615 398 0475	615 804 7510		
	Angle	CP3450	615 398 0405	615 398 0615	615 398 0465	615 804 7490		
	Angle	CP3241	615 398 0415	615 398 0635	615 398 0465	615 804 7490		
	Angle	CP3349	615 398 0415	615 398 0635	615 398 0475	615 804 7510		
Sanders								
	Random orbital	CP7225 / CP7255 / CP7215 / CP35xx / CP9534 / CP9674	615 398 0405	615 398 0605		615 804 7470	615 398 0525	615 398 0715
	Angle	CP30xx / CP9778 / CP7200 / CP7201 / CP7202	615 398 0405	615 398 0605		615 804 7470		615 398 0715
	Polishers	CP86xx	615 398 0405	615 398 0605		615 804 7470		615 398 0715
	Belt sanders	CP5080 / CP858 / CP9779 / CP9780	615 398 0405	615 398 0605		615 804 7470		615 398 0715
Hammers								
	Chipping hammers	CP71x / CP9537 / CP7110	615 398 0405	615 398 0605		615 804 7470	615 398 0525	615 398 0715
	Scalers	B14 / B23	615 398 0405	615 398 0605		615 804 7470	615 398 0525	615 398 0715
	Scalers	B20	615 398 0395	615 398 0625		615 804 7470	615 398 0515	615 398 0705
	Needle scalars	CP0951 / CP0952	615 398 0405	615 398 0605		615 804 7470	615 398 0525	615 398 0715
	Needle scalars	CP9536 / CP7120	615 398 0405	615 398 0605		615 804 7470	615 398 0525	615 398 0715
Drills								
	1/4"	CP7300	615 398 0395	615 398 0625		615 804 7470	615 398 0515	615 398 0705
	3/8"	All the range	615 398 0405	615 398 0605		615 804 7470	615 398 0525	615 398 0715
	1/2"	All the range	615 398 0405	615 398 0605		615 804 7470	615 398 0525	615 398 0715
Specialty tools								
	Saws	CP9881 / CP7901 / CP7900 / CP881	615 398 0405	615 398 0605		615 804 7470	615 398 0525	615 398 0715
	Tire buffers & cutters	CP871 / CP873 / CP861 / CP874	615 398 0405	615 398 0605		615 804 7470	615 398 0525	615 398 0715
	Shear, nibbler & air files	CP835 / CP785S / CP9705 / CP9710	615 398 0405	615 398 0605		615 804 7470	615 398 0525	615 398 0715
	Riveters & caulking gun	CP9883 / CP9884 / CP9885	615 398 0405	615 398 0605		615 804 7470	615 398 0525	615 398 0715
	Engraving pen	CP710 / CP9361 / CP9160	615 398 0395	615 398 0625		615 804 7470	615 398 0515	615 398 0705

Selection Guide

KIT : NPT + EASY FLOW ISO 6150B MIL-C4109 COUPLINGS/NIPPLES



KIT DESCRIPTION	PART NUMBER	KIT CONTENT
FRL KIT		
	615 398 0395	1/4" NPT Ball valve + 2 Stage 1/4" FRL + 1/4" EF Coupling ISO 6150B 8mm
	615 398 0405	1/2" NPT Ball valve + 2 Stage 1/2" FRL + 1/2" EF Coupling ISO 6150B 8mm
	615 398 0415	3/4" NPT Ball valve + 2 Stage 3/4" FRL + 3/4" EF Coupling ISO 6150B 11mm
HOSE KIT		
 	615 398 0595	Hose Kit: 1/4" EF Nipple ISO 6150B 8mm + 8m 5/16" Polyuretane hose + EF Coupling ISO 6150B 8mm Nipple's kit for tool 1/4" & 1/8"
	615 398 0605	Hose Kit: 1/4" EF Nipple ISO 6150B 8mm + 8m 3/8" Polyuretane hose + EF Coupling ISO 6150B 8mm Nipple's kit for 1/4" & 3/8" tool inlet
	615 398 0615	Hose Kit: 3/8" EF Nipple ISO 6150B 8mm + 8m 1/2" Polyuretane hose + EF Coupling ISO 6150B 8mm Nipple's kit for 3/8" tool inlet
	615 398 0625	Hose Kit: 1/4" EF Nipple ISO 6150B 8mm + 8m 1/4" Polyuretane hose + EF Coupling ISO 6150B 8mm Nipple's kit for 1/8" tool inlet
	615 398 0635	Hose Kit: 1/2" EF Nipple ISO 6150B 11mm + 8m 5/8" Polyuretane hose + EF Coupling ISO 6150B 11mm Nipple's kit for 3/8" & 1/2" tool inlet
	HOSE WHIP KIT	
	615 398 0465	Rubber hose whip 3/8" NPT 13mm ID + EF Nipple ISO 6150B 11mm
	615 398 0475	Rubber hose whip 1/2" NPT 16mm ID + EF Nipple ISO 6150B 11mm
CLOSED HOSE REEL KIT		
	615 398 0515	HRNS Polyurethane Hose Reel 8mm ID, 10m length + EF Nipple and Coupling ISO 6150B 8mm
	615 398 0525	HRNM Polyurethane Hose Reel 10mm ID, 10m length + EF Nipple and Coupling ISO 6150B 8mm
OPEN HOSE REEL KIT		
	615 398 0705	HRNO M Polyurethane Hose Reel 10mm ID, 16m length + EF Nipple and Coupling ISO 6150B 8mm
	615 398 0715	HRNO L Polyurethane Hose Reel 13mm ID, 16m length + EF Nipple and Coupling ISO 6150B 8mm

Selection Guide

KIT : NPT + EASY FLOW ASIA 7,5MM



		TOOL MODEL	FRL KIT	HOSE KIT	HOSE WHIP	AIR FLEX	CLOSED HOSE REEL KIT	OPEN HOSE REEL KIT
Impacts								
	1/4"	CP203x / CP204x / CP719	615 398 0435	615 398 0655		615 995 5590	615 398 0545	615 398 0735
	3/8"	CP721 / CP7722 / CP724H / CP7735 / CP6031 / CP6300 / CP95xx	615 398 0435	615 398 0655		615 995 5590	615 398 0545	615 398 0735
	1/2"	All the range	615 398 0435	615 398 0655		615 995 5570		615 398 0735
	3/4"	CP77xx / CP9560 / CP80xx / CP6060 / CP82xx	615 398 0435	615 398 0665		615 995 5570		
		CP9561	615 398 0435	615 398 0655		615 995 5570		615 398 0735
	1"	CP6060 / CP7773 / CP80xx / CP893	615 398 0435	615 398 0665		615 995 5570		
	1"	CP061x / CP69xx / CP89x / CP777x / CP796 / CP7640 / CP5000	615 398 0415	615 398 0675	615 398 0475	615 804 7510		
	1-1/2"	CP6120 / CP0614	615 398 0415	615 398 0675	615 398 0475	615 804 7510		
Ratchets								
	1/4" & 3/8"	CP82xx / CP78xx / CP942x / CP886	615 398 0435	615 398 0655		615 995 5590	615 398 0545	615 398 0735
	3/8" & 1/2"	CP886H / CP78xx	615 398 0435	615 398 0655		615 995 5590	615 398 0545	615 398 0735
Screwdrivers								
	DD & positive	CP27x	615 398 0435	615 398 0655		615 995 5590	615 398 0545	615 398 0735
	Cushion	CP78x / CP26xx / CP20xx	615 398 0435	615 398 0655		615 995 5590	615 398 0545	615 398 0735
	Shut Off	CP200x	615 398 0425	615 398 0645		615 995 5590	615 398 0535	615 398 0725
	Shut Off	CP26xx / CP201x	615 398 0435	615 398 0655		615 995 5590	615 398 0545	615 398 0735
Grinders								
	Mini Die	CP3019 / CP3000-600CR	615 398 0435	615 398 0655		615 995 5590	615 398 0545	615 398 0735
	Die	CP3000 / CP3030	615 398 0435	615 398 0655		615 995 5570		615 398 0735
	Big Die	CP3109 / CP3119 / CP3040 / CP9113 / CP3451	615 398 0435	615 398 0665		615 995 5570		
	Straight	CP3249	615 398 0415	615 398 0635	615 398 0475	615 804 7510		
	Angle	CP3450	615 398 0435	615 398 0665		615 995 5570		
	Angle	CP3241	615 398 0415	615 398 0665	615 398 0485	615 804 7490		
	Angle	CP3349	615 398 0415	615 398 0635	615 398 0475	615 804 7510		
Sanders								
	Random orbital	CP7225 / CP7255 / CP7215 / CP35xx / CP9534 / CP9674	615 398 0435	615 398 0655		615 995 5590	615 398 0545	615 398 0735
	Angle	CP30xx / CP9778 / CP7200 / CP7201 / CP7202	615 398 0435	615 398 0655		615 995 5570		615 398 0735
	Polishers	CP86xx	615 398 0435	615 398 0655		615 995 5570		615 398 0735
	Belt sanders	CP5080 / CP858 / CP9779 / CP9780	615 398 0435	615 398 0655		615 995 5570		615 398 0735
Hammers								
	Chipping hammers	CP71x / CP9537 / CP7110	615 398 0435	615 398 0655		615 995 5590	615 398 0545	615 398 0735
	Scalers	B14 / B23	615 398 0435	615 398 0655		615 995 5590	615 398 0545	615 398 0735
	Scalers	B20	615 398 0425	615 398 0645		615 995 5590	615 398 0535	615 398 0725
	Needle scalars	CP0951 / CP0952	615 398 0435	615 398 0655		615 995 5590	615 398 0545	615 398 0735
	Needle scalars	CP9536 / CP7120	615 398 0435	615 398 0655		615 995 5590	615 398 0545	615 398 0735
Drills								
	1/4"	CP7300	615 398 0425	615 398 0645		615 995 5590	615 398 0535	615 398 0725
	3/8"	All the range	615 398 0435	615 398 0655		615 995 5590	615 398 0545	615 398 0735
	1/2"	All the range	615 398 0435	615 398 0655		615 995 5590	615 398 0545	615 398 0735
Specialty tools								
	Saws	CP9881 / CP7901 / CP7900 / CP881	615 398 0435	615 398 0655		615 995 5590	615 398 0545	615 398 0735
	Tire buffers & cutters	CP871 / CP873 / CP861 / CP874	615 398 0435	615 398 0655		615 995 5590	615 398 0545	615 398 0735
	Shear, nibbler & air files	CP835 / CP785S / CP9705 / CP9710	615 398 0435	615 398 0655		615 995 5590	615 398 0545	615 398 0735
	Riveters & caulking gun	CP9883 / CP9884 / CP9885	615 398 0435	615 398 0655		615 995 5590	615 398 0545	615 398 0735
	Engraving pen	CP710 / CP9361 / CP9160	615 398 0425	615 398 0645		615 995 5590	615 398 0535	615 398 0725

Selection Guide

KIT : NPT + EASY FLOW ASIA 7,5MM



KIT DESCRIPTION	PART NUMBER	KIT CONTENT
FRL KIT		
	615 398 0425	1/4" NPT Ball valve + 2 Stage 1/4" FRL + 1/4" EF Coupling ASIA 7,5mm
	615 398 0435	1/2" NPT Ball valve + 2 Stage 1/2" FRL + 1/2" EF Coupling ASIA 7,5mm
	615 398 0415	3/4" NPT Ball valve + 2 Stage 3/4" FRL + 3/4" EF Coupling ISO 6150B 11mm
HOSE KIT		
	615 398 0645	Hose Kit: 1/4" EF Nipple ASIA 7,5mm + 8m 5/16" Polyuretane hose + EF Coupling ASIA 7,5mm Nipple's ASIA kit for tool 1/4" & 1/8"
	615 3980 655	Hose Kit: 1/4" EF Nipple ASIA 7,5mm + 8m 3/8" Polyuretane hose + EF Coupling ASIA 7,5mm Nipple's ASIA kit for 1/4" & 3/8" tool inlet
	615 398 0665	Hose Kit: 3/8" EF Nipple ASIA 7,5mm + 8m 1/2" Polyuretane hose + EF Coupling ASIA 7,5mm Nipple's ASIA kit for 3/8" tool inlet
	615 398 0635	Hose Kit: 1/2" EF Nipple ASIA 7,5mm + 8m 1/2" Polyuretane hose + EF Coupling ASIA 7,5mm Nipple's ASIA kit for 3/8" tool inlet
	615 398 0675	Hose Kit: 1/2" EF Nipple ISO 6150B 11mm + 8m 5/8" Polyuretane hose + EF Coupling ISO 6150B 11mm Nipple's kit for 3/8" & 1/2" tool inlet
	HOSE WHIP KIT	
	615 398 0485	Rubber hose whip 3/8" NPT 13mm ID + EF Nipple ASIA 7,5mm
615 398 0475	Rubber hose whip 1/2" NPT 16mm ID + EF Nipple ASIA 7,5mm	
CLOSED HOSE REEL KIT		
	615 398 0535	HRNS Polyurethane Hose Reel 8mm ID, 10m length + EF Nipple and Coupling ASIA 7,5mm
	615 398 0545	HRNM Polyurethane Hose Reel 10mm ID, 10m length + EF Nipple and Coupling ASIA 7,5mm
OPEN HOSE REEL KIT		
	615 398 0725	HRNO M Polyurethane Hose Reel 10mm ID, 16m length + EF Nipple and Coupling ASIA 7,5mm
	615 398 0735	HRNO L Polyurethane Hose Reel 13mm ID, 16m length + EF Nipple and Coupling ASIA 7,5mm

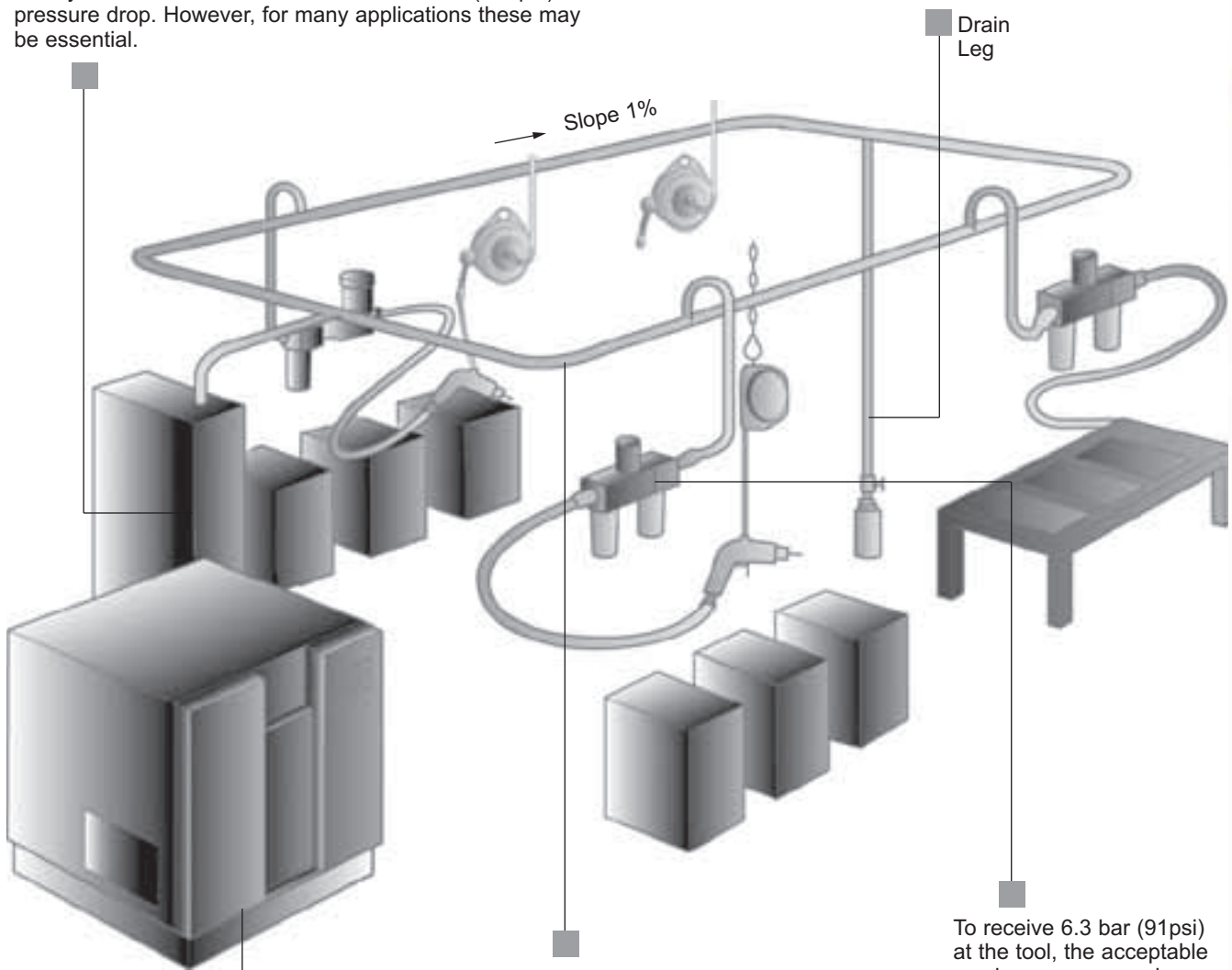
Air Line Network

Chicago Pneumatic Air Preparation Units are designed to help you get maximum performance from your tools.

They ensure minimal pressure drop and thus minimum energy losses in the air distribution system, benefiting the environment and cutting your operating costs.

The lifetimes of your tools will be extended by using air preparation units and with that comes lower repair costs and less downtime. A correct air installation guarantees productivity and good total economy.

Air dryers and filters can cause a 0.2 - 0.3 bar (3-4 psi) pressure drop. However, for many applications these may be essential.



A normal compressor can deliver up to 7.5 bar (109 psi) air line pressure, depending on start and stop settings.

A carefully designed network virtually eliminates pressure drop. We recommend a Ring Main layout which has a slope away from the input of 1%.

To receive 6.3 bar (91 psi) at the tool, the acceptable maximum pressure drop from airline accessories is 0.6 bar (9 psi). A combination of high performance components and careful engineering will achieve this.

Air Preparation Units



FILTERS, REGULATORS, LUBRICATORS

Why should you use a filter, regulator and lubricator ?

The use of a filter, regulator and lubricator (in that order) for pretool air preparation is strongly recommended by Chicago Pneumatic. Proper air preparation will result in improved tool performance and increased tool life. The units should be mounted as close to the tool as possible, preferably right where the tool hose is connected to the system. To realize their full value, these units should be checked on a regular assigned basis by maintenance workers or the operators themselves.

AIR FILTER

Filter separates impurities such as water and solid particles.

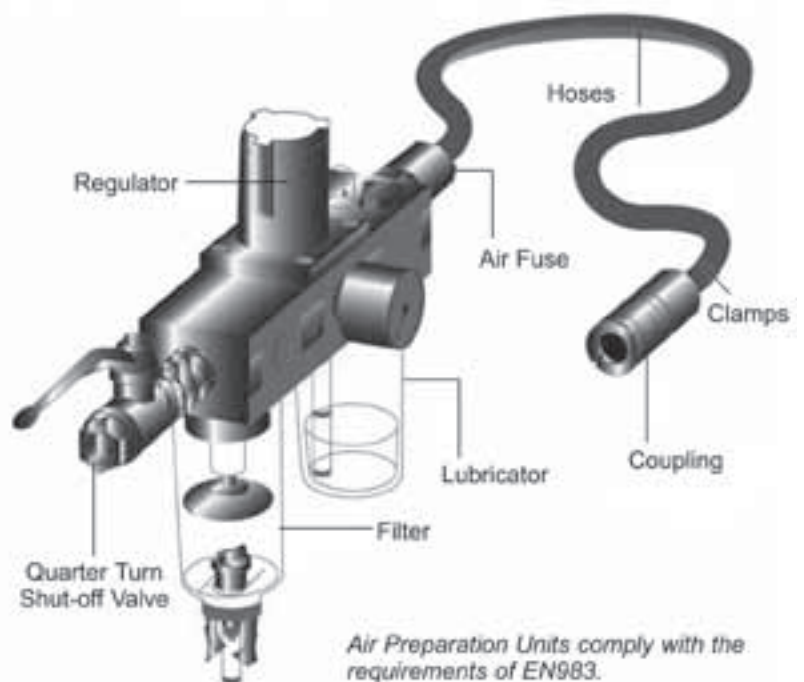
Not using filters in combination with air tools leads to shorter service life, higher maintenance costs and lower efficiency. Old air systems with cool dryers, for instance, generate a lot of rust and running tools without installing a filter could damage the tool in less than a week.

Chicago Pneumatic filters separate up to 98% of the water when operating within their working range. All three types (Small, Medium and Big) are very low pressure drop.

REGULATOR

The regulator ensures that the pre-set working pressure remains constant - regardless of pressure variations in the intake air and minor variations in the airflow rate. For example, a pressure of 1 bar higher than necessary results in a 16% increase in air consumption.

Spring controlled regulators are quick acting and therefore should be used for all types of air tools.



TOOL PRESSURE	AIR CONSUMPTION
91 psi (6 bar)	100 %
101 psi (7 bar)	110 %
116 psi (8 bar)	125 %

LUBRICATORS

If lubricators are not used, tool motor vanes will need to be changed more often. The life of the vanes may decrease to as little as 1/10th of the normal working time. The oil fog lubricator is the most common type of lubricator. It supplies a mist of oil to the air hose.

Different types of FRL	Port size in.	Air flows at 6 bars L/S CFM (l/s)
Small units	1/4	Up to 19 (9)
	3/8	Up to 29.7 (14)
Medium units	1/2	Up to 78.4 (37)
Big units	1	Up to 175.9 (83)

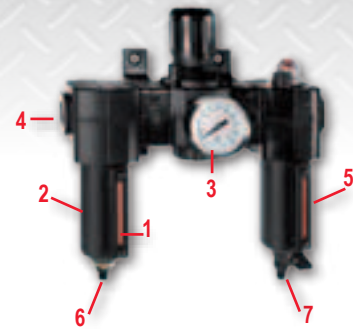
Air Preparation Units



FEATURES AND BENEFITS

High air flow capacity: up to 220 cfm (104 l/s) to cover most of the pneumatic tool needs. Available in kits: 1/4", 1/2", 3/4", BSP or NPT, 2 or 3 stages units or individual units. Durable design including quick release bayonet metal bowls for rough working environments.

- (1) Liquid level indicator on the bowls for improved reading.
- (2) Filter with 5µm element pre-installed to optimize the air cleaning and with automatic drain valve.
- (3) Supplied with metal pressure gauge 0-10 bar (0-145 PSI) with metric and imperial scales.
- (4) 145 – 245 PSI (10-17 bar) inlet / outlet max. pressure.
- (5) Micro fog lubricator to optimize the air/oil ratio
- (6) Automatic drain valve
- (7) Manual drain



Max air flow Δ 14.5 PSI (1 bar)



FILTER-REGULATOR LUBRICATOR WITH PRESSURE GAUGE (0-150PSI - 0-10 BAR)	THREAD	MAX. AIR FLOW		MAX. PRESSURE	OIL CAPACITY		PART NUMBER	
		in.	cfm		l/s	Inlet (psi/bar)	oz	ml
2 STAGE	1/4 G	24	11	150/10	3.4	100	894 016 8515	894 016 8478
2 STAGE	1/2 G	110	50	246/17	6.8	201	894 016 8517	894 016 8480
2 STAGE	3/4 G	220	100	246/17	6.8	201	894 016 8519	894 016 8483
3 STAGE	1/4 G	24	11	150/10	3.4	100	894 016 8516	894 016 8479
3 STAGE	1/2 G	110	50	246/17	6.8	201	894 016 8518	894 016 8481
3 STAGE	3/4 G	220	100	246/17	6.8	201	894 016 8520	894 016 8484

Included with the units: Filter 5µm, Pressure gauge 0-150 psi - 0-10 bar, Microfog lubricator, Automatic drain valve

FILTER UNIT	THREAD	PART NUMBER	
		NPT	BSP
1 STAGE	1/4 G	894 016 9091	894 016 9090
1 STAGE	1/2 G	894 016 9099	894 016 9098
1 STAGE	3/4 G	894 016 9107	894 016 9106

LUBRICATOR UNIT	THREAD	PART NUMBER	
		NPT	BSP
1 STAGE	1/4 G	894 016 9095	894 016 9094
1 STAGE	1/2 G	894 016 9103	894 016 9102
1 STAGE	3/4 G	894 016 9111	894 016 9110

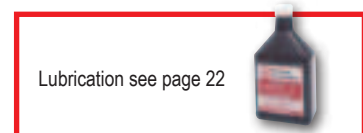
REGULATOR UNIT	THREAD	PART NUMBER	
		NPT	BSP
1 STAGE	1/4 G	894 016 9093	894 016 9092
1 STAGE	1/2 G	894 016 9101	894 016 9100
1 STAGE	3/4 G	894 016 9109	894 016 9108

FILTER-REGULATOR	THREAD	PART NUMBER	
		NPT	BSP
1 STAGE	1/4 G	894 016 9097	894 016 9096
1 STAGE	1/2 G	894 016 9105	894 016 9104
1 STAGE	3/4 G	894 016 9113	894 016 9112

PRESSURE GAUGE	SIZE		Ø	MAX PRESSURE	PART NO.
	in.	mm			
1/8" - 0-10	1/8"G	1.57	40	150 PSI (10bar)	894 016 9178
1/8" - 0-10	1/8"NTP	1.57	40	150 PSI (10bar)	894 016 9179
1/8" - 0-10	1/8"G	1.97	50	150 PSI (10bar)	894 016 9180
1/8" - 0-10	1/8"NTP	1.97	50	150 PSI (10bar)	894 016 9181

SPRAY PAINT UNIT	PART NUMBER
Filter 0.01µm	894 016 9826

FRL PORTABLE STAND	PART NUMBER
COMPATIBLE WITH ALL SIZES OF CP FRL UNITS	894 016 9114





Chicago Pneumatic offers the highest quality of PVC, Rubber and Polyurethane hoses in the Industrial Line to cover the different needs of applications with Power Tools

In addition to this, the EFFI series is designed with special features such as low weight and flexibility, to meet the highest ergonomic demands, as well as antistatic for applications with ESD demands.

HOSES

HOSE RECOMMENDATIONS

DESCRIPTION	EFFI PVC ESD	EFFI PVC	EFFI MAX	PVC	POLYURETHAN	Rubber
Flexibility	+++	+++	++	++	++	+
Lightweighth	+++	+++	++	++	++	+
Outdoor	++	++	+++	+	+	+++
Spark resistant	-	-	+++	-	-	+++
Rough environment	++	++	+++	+	++	+++
Antistatic	+++	-	+++	-	-	+++
Temperature range	-5 to +140F° -15 to +60°C	-13 to +140F° -25 to +60°C	-40 to +194F° -40 to +90°C	-13 to +140F° -25 to +60°C	-22 to +176F° -30 to +80°C	-40 to +194F° -40 to +90°C



At recommended air flow the pressure drop is 2.9 PSI / 0.2bar with a hose length of 16 ft / 5m.
Recommendation is to upgrade one size in diameter for every 32.8 ft / 10m of hose length.

EFFI SERIES

CP EFFI is a unique premium line of hoses designed with special features such as antistatic, extreme low weight, resistance and durability that will help the operator to maximize the tool productivity.

EFFI PVC ESD HOSES

Aimed to electrostatic sensitive devices manufacturers (electronics, radio, communication fields..)

- Antistatic
- Silicone free
- Extra flexible



DIMENSIONS (IDxOD)		LENGTH		MAX WORKING PRESSURE*	AIR FLOW		WEIGHT PER 98 ft / 30m		PART NUMBER
in. ID	mm	ft	m	PSI (bar)	cfm	l/s	lb	kg	
1/4	6x11	98.5	30	145 (10)	8.5	4.0	5.1	2.3	615 810 8430
5/16	8x12	98.5	30	130 (9)	15.8	7.5	5.7	2.6	615 810 8440
3/8	10x14	98.5	30	116 (8)	27.6	13	5.9	2.7	615 810 8450
1/2	13x18	98.5	30	101 (7)	44.5	21	10.8	4.4	615 810 8460

* With a safety factor of 37.4 at 68F° (3 at 20°C)
(at the max temp of +140F° (+60°C) the working pressure should be reduced by 50%)

EFFI PVC HOSES

Aimed to generic assembly applications

- Low weight
- Silicone free
- Ergonomic
- Extremely soft and flexible



DIMENSIONS (IDxOD)		LENGTH		MAX WORKING PRESSURE	AIR FLOW		WEIGHT PER 98 ft / 30m		PART NUMBER
in. ID	mm	ft	m	PSI (bar)	cfm	l/s	lb	kg	
1/4	6x9	98.5	30	261 (18)	8.5	4.0	2.6	1.2	615 810 8470
5/16	8x10.5	98.5	30	261 (18)	15.9	7.5	3.7	1.7	615 810 8480
3/8	10x13	98.5	30	203 (14)	27.6	13	4.6	2.1	615 810 8490
1/2	13x16.5	98.5	30	188 (13)	44.5	21	6.6	3.0	615 810 8500
5/8	16x21	98.5	30	159 (11)	91.1	43	11.9	5.4	615 810 8510
3/4	20x24	98.5	30	159 (11)	159	75	12.8	5.8	615 810 8520
1	25x31	98.5	30	145 (10)	265	125	22.9	10.4	615 810 8530

EFFI MAX HOSES

Aimed to generic grinding applications

- Extreme low weight
- Antistatic
- Rubber hose
- Soft and flexible
- Welding spatter resistant



DIMENSIONS (IDxOD)		LENGTH		MAX WORKING PRESSURE	AIR FLOW		WEIGHT PER 65.6 ft / 20m		PART NUMBER
in. ID	mm	ft	m	PSI (bar)	cfm	l/s	lb	kg	
1/2	13x18.6	65.6	20	232 (16)	44.5	21	8.6	3.9	615 810 9000
5/8	16x22.5	65.6	20	232 (16)	91.1	43	10.6	4.8	615 810 9010
3/4	20x26.1	65.6	20	232 (16)	159	75	11.9	5.4	615 810 9020

Hoses

PVC, RUBBER AND POLYURETHANE HOSES

Standard quality hose in PVC, PUR and Rubber will provide the best quality product for the price for optimized work with pneumatic tools.



PVC HOSES

Aimed to heavy duty applications (workshops, factories, garages etc.) For indoor use.

- Long service life
- Pliable
- Transparent



DIMENSIONS (IDxOD)		LENGTH		MAX WORKING PRESSURE	AIR FLOW		WEIGHT PER 98 ft /30m		PART NUMBER
in. ID	mm	ft	m	PSI (bar)	cfm	l/s	lb	kg	
1/8	3x7	98.5	30	290 (20)	1.5	0.7	3.1	1.4	615 810 8540
3/16	5x9	98.5	30	261 (18)	4.4	2.1	4.2	1.9	615 810 8550
1/4	6x11	98.5	30	261 (18)	8.5	4.0	5.5	2.5	615 810 8560
5/16	8x12	98.5	30	261 (18)	15.8	7.5	6.4	2.9	615 810 8570
3/8	10x14	98.5	30	203 (14)	27.5	13	8.2	3.7	615 810 8580
1/2	13x18	98.5	30	188 (13)	44.5	21	13.0	5.9	615 810 8590
5/8	16x22	98.5	30	174 (12)	91.1	43	15.9	7.2	615 810 8600
3/4	20x25	98.5	30	174 (12)	159	75	18.3	8.3	615 810 8610
1	25x32	98.5	30	159 (11)	265	125	27.6	12.5	615 810 8620

RUBBER HOSES

Aimed to the most demanding tasks in construction, mining, shipyards, foundries etc.

- Durable
- Antistatic
- Grinding and welding spatter resistant



DIMENSIONS (IDxOD)		LENGTH		MAX WORKING PRESSURE	AIR FLOW		WEIGHT PER 98 ft /30m		PART NUMBER
in. ID	mm	ft	m	PSI (bar)	cfm	l/s	lb	kg	
3/8	10x16	65.6	20	232 (16)	27.5	13	7.9	3.6	615 810 8640
1/2	12.5x19.1	65.6	20	232 (16)	44.5	21	10.4	4.7	615 810 8650
5/8	16x23	65.6	20	232 (16)	91.1	43	13.4	6.1	615 810 8660
3/4	20x26.6	65.6	20	232 (16)	159	75	17.2	7.8	615 810 8680
1	25x34	65.6	20	232 (16)	265	125	26.0	11.8	615 810 8700

POLYURETHANE HOSES

Aimed to heavy duty applications for indoor and outdoor use

- Oil resistant
- Flexible
- Long service life
- PVC free: Environment friendly



DIMENSIONS (IDxOD)		LENGTH		MAX WORKING PRESSURE	AIR FLOW		WEIGHT PER 82 ft /25m		PART NUMBER
in. ID	mm	ft	m	PSI (bar)	cfm	l/s	lb	kg	
1/4	6.5x10	82	25	290 (20)	8.5	4.0	2.9	1.3	615 804 6230
5/16	8x12	82	25	290 (20)	15.9	7.5	4.8	2.2	615 804 6240
3/8	9.5x13	82	25	232 (16)	27.5	13.0	5.5	2.5	615 804 6250
1/2	13x18	82	25	188 (13)	44.5	21.0	8.8	4.0	615 804 6260

HOSE KITS

Hose kits are equipped with end thread fittings and available in short length, ready to connect and ready to use.



DIMENSIONS (IDxOD)	MALE	LENGTH	PART NUMBER		HOSE MATERIAL
			NPT	BSP	
1/4 6.5x10	1/4	26.2 8	615 811 2130	615 804 6270	PU
5/16 8x12	1/4	26.2 8	615 811 2140	615 804 6280	PU
3/8 10x13	1/4	26.2 8	615 811 2150	615 804 6290	PU
3/8 10x13	3/8	26.2 8	615 811 2400	615 811 2380	PU
1/2 13x18	1/2	26.2 8	615 811 2160	615 804 6300	PU
1/2 13x18	3/8	26.2 8	615 811 2410	615 811 2390	PU
5/8 16x23	1/2	26.2 8	615 811 2680	615 811 2670	Rubber

RUBBER HOSE WHIPS

Always use a hose whip between the tool and the air supply hose. It provides safety and longer tool air inlet life.

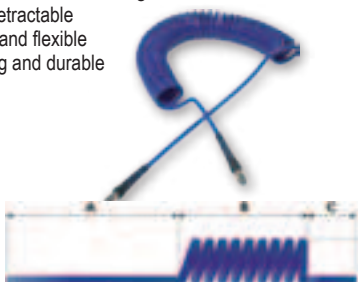


HOSE DIAM.		THREAD SIZE	HOSE LENGTH		PART NUMBER	
in.	mm	in.	ft	m	NPT	BSP
1/4	6.5	1/4	2.0	0.6	CA046270	615 811 1910
3/8	10	1/4	2.0	0.6	CA047270	615 811 1920
1/2	13	3/8	2.0	0.6	CA049271	615 811 2640
1/2	13	1/2	2.0	0.6	CA049270	615 811 1930
5/8	16	1/2	2.0	0.6	615 811 2660	615 811 2650

POLYURETHANE SPIRAL HOSE

Spiral hose are especially adapted for tools used at varying distances. Vertically or horizontally, together with a balancer spiral hose, it is a step forward in ergonomics. Equipped with ball bearing at one end (except the 11x16), they can be directly connected at the tool outlet, avoiding the hose to twist.

- Self retractable
- Light and flexible
- Strong and durable



DIMENSIONS (IDxOD)	MALE THREADS	WORKING LENGTH	LENGTH			PART NUMBER	
			A	B	C	NPT	BSP
1/4 6.5x10	1/4	6.6 2	19.7 (500)	5.5 (140)	5.9 (150)	615 810 9670	615 804 6350
1/4 6.5x10	1/4	13.1 4	19.7 (500)	13 (330)	5.9 (150)	615 810 9680	615 804 6360
1/4 6.5x10	1/4	19.7 6	19.7 (500)	20.1 (510)	5.9 (150)	615 810 9690	615 804 6370
1/4 6.5x10	1/4	26.2 8	19.7 (500)	27.6 (700)	5.9 (150)	615 810 9700	615 804 6380
5/16 8x12	3/8	6.6 2	19.7 (500)	5.1 (130)	5.9 (150)	615 810 9710	615 804 6390
5/16 8x12	3/8	13.1 4	19.7 (500)	11.8 (300)	5.9 (150)	615 810 9720	615 804 6400
5/16 8x12	3/8	19.7 6	19.7 (500)	18.1 (460)	5.9 (150)	615 810 9730	615 804 6410
5/16 8x12	3/8	26.2 8	19.7 (500)	24.8 (630)	5.9 (150)	615 810 9740	615 804 6420
7/16 11x16	3/8	6.6 2	19.7 (500)	4.7 (120)	5.9 (150)	615 810 9750	615 804 6430
7/16 11x16	3/8	13.1 4	19.7 (500)	10.6 (270)	5.9 (150)	615 810 9760	615 804 6440
7/16 11x16	3/8	19.7 6	19.7 (500)	16.5 (420)	5.9 (150)	615 810 9770	615 804 6450
7/16 11x16	3/8	26.2 8	19.7 (500)	22.4 (570)	5.9 (150)	615 810 9780	615 804 6460

Hose Reels



CUSTOMERS BENEFITS

- No hoses on the ground for improved safety
- From 3.3 to 33 ft / 49 or 52 ft (1 to 10 / 15 or 16 m) hose lengths with feedback force for a clean work space
- Directional swivel-plate to help you correctly reach your application
- High airflow for maximum productivity
- Lightweight and flexible polyurethane hose to reduce operator fatigue
- Open Reels with rubber hose available for heavy-duty grinding/spark areas
- Working temperatures: -30°C+ 60°C (-4°F +140°F)

APPLICATIONS

- Workshops and service stations in the automotive, truck, earthmoving and farming industry
- Industrial assembly lines
- Shipyards, Foundries



A



HR S, HR M & HR L / Hose Reel Small Closed Composite Series
Compact and ergonomic plastic casing air hose reel
Airflow > 14.8 cfm (7 l/s)

B



HR M / Hose Reel Medium Closed Steel Series
Heavy-duty air hose reels in steel for longest lifetime
Airflow > 21.2 cfm (10 l/s)

C



HRO M / Hose Reel Medium Open Steel Series
Heavy-duty air hose reel in industrial quality
Airflow > 17.6 cfm (8.5 l/s)

D



HRO L / Hose Reel Large Open Steel Series
Heavy-duty air hose reel in industrial quality
Airflow > 33.6 cfm (16 l/s)

E



CP9445H 3/8HD / Hose Reel 50FT 15M
CP9455H 1/2HD / Hose Reel 50FT 15M
Steel Series
Heavy-duty air hose reel in industrial quality

PIC REF	MODEL	THREAD TYPE	CONNECTION		LENGTH		Ø INTERNAL		FLUID	HOSE MATERIAL	INLET	WEIGHT		MAX. PRESSURE		AIR FLOW		PART NUMBER
			IN (in.)	OUT (in.)	ft	m	in.	mm				lb	kg	PSI	bar	cfm	l/s	
A	HR S HOSE REEL	BSP	1/4	1/4	33	10	5/16	8	Air	100% Polyurethane	feet lead-hose 3.3 ft (1m)	9.9	4.5	232	16	14.1	7	615 804 5020
A	HRN S HOSE REEL	NPT	1/4	1/4	33	10	5/16	8	Air	100% Polyurethane	feet lead-hose 3.3 ft (1m)	9.9	4.5	232	16	14.1	7	615 804 5030
A	HR M HOSE REEL	BSP	1/4	1/4	33	10	3/8	10	Air	100% PUR (1.2m)	feet lead-hose 4 ft	11	5	290	20	21.2	10	615 810 9610
A	HRN M HOSE REEL	NPT	1/4	1/4	33	10	3/8	10	Air	100% PUR (1.2m)	feet lead-hose 4 ft	11	5	290	20	21.2	10	615 810 9620
A	HR L HOSE REEL	BSP	1/4	1/4	49	15	3/8	10	Air	100% Polyurethane	feet lead-hose 3.3 ft (1m)	15.2	6.9	232	16	21.2	10	894 016 9825
A	HR L HOSE REEL	NPT	1/4	1/4	49	15	3/8	10	Air	100% Polyurethane	feet lead-hose 3.3 ft (1m)	15.2	6.9	232	16	21.2	10	894 016 9827
B	HR M HOSE REEL	BSP	1/4	1/4	33	10	3/8	10	Air	100% Polyurethane	feet lead-hose 4.9 ft (1.5m)	18.7	8.5	290	20	21.2	10	615 804 5040
B	HRN M HOSE REEL	NPT	1/4	1/4	33	10	3/8	10	Air	100% Polyurethane	feet lead-hose 4.9 ft (1.5m)	18.7	8.5	290	20	21.2	10	615 804 5050
C	HRO M HOSE REEL	BSP	1/4	1/4	52	16	3/8	10	Air	100% Polyurethane	feet lead-hose 4.9 ft (1.5m)	24.3	11	290	20	17.6	8.5	615 804 5060
C	HROR M HOSE REEL	BSP	3/8	3/8	49	15	3/8	10	Air / Water	Rubber (SBR+NR/SBR+EDM)	feet lead-hose 4.9 ft (1.5m)	24.3	11	290	20	17.6	8.5	615 804 5100
C	HRNO M HOSE REEL	NPT	1/4	1/4	52	16	3/8	10	Air	100% Polyurethane	feet lead-hose 4.9 ft (1.5m)	24.3	11	290	20	17.6	8.5	615 804 5070
C	HRNOR M HOSE REEL	NPT	3/8	3/8	49	15	3/8	10	Air / Water	Rubber (SBR+NR/SBR+EDM)	feet lead-hose 4.9 ft (1.5m)	24.3	11	290	20	17.6	8.5	615 804 5110
D	HRO L HOSE REEL	BSP	3/8	3/8	52	16	1/2	13	Air	100% Polyurethane	feet lead-hose 4.9 ft (1.5m)	30.9	14	290	20	33.5	16	615 804 5080
D	HROR L HOSE REEL	BSP	3/8	3/8	49	15	1/2	13	Water	Rubber (SBR+NR/SBR+EDM)	feet lead-hose 4.9 ft (1.5m)	30.9	14	290	20	33.5	16	615 804 5120
D	HRNO L HOSE REEL	NPT	3/8	3/8	52	16	1/2	13	Air	100% Polyurethane	feet lead-hose 4.9 ft (1.5m)	30.9	14	290	20	33.5	16	615 804 5090
D	HRNOR L HOSE REEL	NPT	3/8	3/8	49	15	1/2	13	Water	Rubber (SBR+NR/SBR+EDM)	feet lead-hose 4.9 ft (1.5m)	30.9	14	290	20	33.5	16	615 804 5130
E	CP9445H 3/8HD	NPT	3/8	3/8	49	15	3/8	10	Air / Water	Rubber	feet lead-hose 4.9 ft (1.5m)	50	22.7	300	21	-	-	894 109 4352
E	CP9455H 1/2HD	NPT	1/2	1/2	49	15	1/2	13	Air / Water	Rubber	feet lead-hose 4.9 ft (1.5m)	50	25.8	300	21	-	-	894 109 4551

Couplings

Chicago Pneumatic offers a wider range of couplings to create the best possible solution together with Power Tools. The range consists of four types of couplings with different characteristic, all with the focus on quality, ergonomics and performance. To cover most of the global needs Chicago Pneumatic offers three types of nipple profiles, Euro-, ISO 6150B- and the Asian profile. With the Easy Flow coupling Chicago Pneumatic can present a unique coupling with no air restriction, minimizing the pressure drop.



Thanks to its innovative design EF is suited for rough environment and it is easy and secure to connect and disconnect with the push and bend principle.

The safety feature in EF and Safety Couplings are vented versions to minimize the risk of sudden separation of coupling and nipple.

	Air Flow	Safety feature	Rough environment	Durability	Ergonomics
EF	+++	++	++	++	+++
Safety	++	+++	+	+	+
Quick Release	++	-	+	++	+++
Claw	+++	-	+++	+++	-

Max air flow capacity (Delta 7.2 psi / 0.5 bar) - Economical air flow (Delta 2.9 psi (0.2 bar))

CP FITTINGS ADAPTABILITY

Nipple		ISO6105B 6mm	EURO 7.6mm	EURO 10.4mm	ASIA 7.5mm
CEJN	310 320 410	X	X	X	
TEMA	1300 1600 1700	X	X	X	
ARO	23-23902	X			
RECTUS	14 - 22 25 (KA, KB, KD, KE, KL, KS) 26 (KA, KB, KE) 27	X	X X	X	
PREVOST	ARM-ASC-ARC-06 ESC 07	X	X		
LEGRIS	14 - 22 25 (KA, KB, KD, KE, KL, KS)	X	X		
NITTO	Hi CUPLA200				X

EF COUPLING - EURO SERIES: EUROPE

EF COUPLING - EURO 7.6mm / Max air flow capacity 79 cfm / 37.5 l/s (Delta 7.2 psi / 0.5 bar)
Economical air flow 53 cfm - 25 l/s (Delta 2.9 psi / 0.2 bar)

NIPPLES EURO 7.6mm



MALE THREAD in.	PART NUMBER BSP
1/4	615 810 5140
3/8	615 810 5150
1/2	615 810 5160



FEMALE THREAD in.	PART NUMBER BSP
1/4	615 810 5170
3/8	615 8105 180
1/2	615 810 5190



HOSE CONNECTION mm	PART NUMBER
6	615 810 5500
8	615 810 5530
10	615 810 5540
13	615 810 5550



MALE THREAD in.	PART NUMBER	
	BSP	NPT
1/4	615 810 5880	615 810 5940
3/8	615 810 5890	615 810 5950
1/2	615 810 5900	615 810 5960



FEMALE THREAD in.	PART NUMBER BSP
1/4	615 810 5910
3/8	615 810 5920
1/2	615 810 5930



HOSE CONNECTION mm	PART NUMBER
6	615 810 6220
8	615 810 6250
10	615 810 6260
13	615 810 6270

EF COUPLING - EURO 10.4mm / Max air flow capacity 153 cfm - 72 l/s (Delta 7.2 psi / 0.5 bar)
Economical air flow 102 cfm - 48 l/s (Delta 2.9 psi / 0.2 bar)

NIPPLES EURO 10.4mm



MALE THREAD in.	PART NUMBER BSP
3/8	615 810 6390
1/2	615 810 6400
3/4	615 810 6410



FEMALE THREAD in.	PART NUMBER BSP
3/8	615 810 6420
1/2	615 810 6430
3/4	615 810 6440



HOSE CONNECTION mm	PART NUMBER
10	615 810 6510
13	615 810 6520
16	615 810 6530
19	615 810 6540



MALE THREAD in.	PART NUMBER	
	BSP	NPT
3/8	615 810 6650	615 810 6680
1/2	615 810 6660	615 810 6690
3/4	615 810 6670	615 810 6700

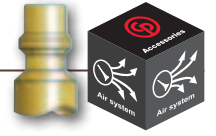


FEMALE THREAD in.	PART NUMBER BSP
3/8	615 810 6710
1/2	615 810 6720
3/4	615 810 6730



HOSE CONNECTION mm	PART NUMBER
10	615 810 6770
13	615 810 6780
16	615 810 6790
19	615 810 6800

Couplings



EF COUPLING - ISO 6150B MIL-C4109: NORTH AMERICA, FRANCE, ITALY

EF COUPLING - ISO 6150B 6mm / Max air flow capacity 36 cfm - 16.7 l/s (Delta 7.2 psi / 0.5 bar)
Economical air flow 23.3 cfm - 11 l/s (Delta 2.9 psi / 0.2 bar)

MALE THREAD in.	PART NUMBER	
	NPT	BSP
1/4	615 810 4850	615 810 4790
3/8	615 810 4860	615 810 4800
1/2	615 810 4870	615 810 4810

FEMALE THREAD in.	PART NUMBER	
	NPT	BSP
1/4	615 810 4880	615 810 4820
3/8	615 810 4890	615 810 4830

HOSE CONNECTION mm	PART NUMBER
6	615 810 5300
8	615 810 5310
10	615 810 5320
13	615 810 5330

NIPPLES ISO 6150B 6 mm

MALE THREAD in.	PART NUMBER	
	NPT	BSP
1/4	615 810 5620	615 810 5560
3/8	615 810 5630	615 810 5570
1/2	615 810 5640	615 810 5580

FEMALE THREAD in.	PART NUMBER	
	NPT	BSP
1/4	615 810 5650	615 810 5590
3/8	615 810 5660	615 810 5600
1/2	615 810 5670	615 810 5610

HOSE CONNECTION mm	PART NUMBER
6	615 810 6040
8	615 810 6050
10	615 810 6060
13	615 810 6070

EF COUPLING - ISO 6150B 8mm / Max air flow capacity 91 cfm - 43 l/s (Delta 7.2 psi / 0.5 bar)
Economical air flow 57 cfm - 27 l/s (Delta 2.9 psi / 0.2 bar)

MALE THREAD in.	PART NUMBER	
	NPT	BSP
1/4	615 810 4980	615 810 4920
3/8	615 810 4990	615 810 4930
1/2	615 810 5000	615 810 4940

FEMALE THREAD in.	PART NUMBER	
	NPT	BSP
1/4	615 810 5010	615 810 4950
3/8	615 810 5020	615 810 4960
1/2	615 810 5030	615 810 4970

HOSE CONNECTION mm	PART NUMBER
8	615 810 5380
10	615 810 5390
13	615 810 5400
16	615 810 5410

NIPPLES ISO 6150B 8mm

MALE THREAD in.	PART NUMBER	
	NPT	BSP
1/4	615 810 5740	615 810 5680
3/8	615 810 5750	615 810 5690
1/2	615 810 5760	615 810 5700

FEMALE THREAD in.	PART NUMBER	
	NPT	BSP
1/4	6158105770	615 810 5710
3/8	6158105780	615 810 5720
1/2	6158105790	615 810 5730

HOSE CONNECTION mm	PART NUMBER
8	615 810 6110
10	615 810 6120
13	615 810 6130
16	615 811 1330

EF COUPLING - ISO6150B 11mm / Max air flow capacity 162 cfm - 76.5 l/s (Delta 7.2 psi / 0.5 bar)
Economical air flow 110 cfm - 52 l/s (Delta 2.9 psi / 0.2 bar)

MALE THREAD in.	PART NUMBER	
	NPT	BSP
3/8	615 810 5090	615 810 5050
1/2	615 810 5100	615 810 5060
3/4	615 810 6350	615 810 6340

FEMALE THREAD in.	PART NUMBER	
	NPT	BSP
3/8	615 810 5110	615 810 5070
1/2	615 810 5120	615 810 5080
3/4	615 810 6370	615 810 6360

HOSE CONNECTION mm	PART NUMBER
10	615 810 5460
13	615 810 5470
16	615 810 5480
19	615 810 5490

NIPPLES ISO 6150B 11mm

MALE THREAD in.	PART NUMBER	
	NPT	BSP
3/8	615 810 5840	615 810 5800
1/2	615 810 5850	615 810 5810
3/4	615 810 6920	615 810 6910

FEMALE THREAD in.	PART NUMBER	
	NPT	BSP
3/8	615 810 5860	615 810 5820
1/2	615 810 5870	615 810 5830
3/4	615 810 6940	615 810 6930

HOSE CONNECTION mm	PART NUMBER
10	615 810 6180
13	615 810 6190
16	615 810 6200
19	615 810 6210

Couplings

EF COUPLING - ASIA 7.5MM: JAPAN, CHINA, INDIA

EF COUPLING - ASIA 7.5mm / Max air flow capacity 72 cfm - 34 l/s (Delta 7.2 psi / 0.5 bar)
Economical air flow 48.7 cfm - 23 l/s (Delta 2.9 psi (0.2 bar))

NIPPLES ASIA 7.5mm



MALE THREAD in.	PART NUMBER R
1/4	615 810 6560
3/8	615 810 6570
1/2	615 810 6580



FEMALE THREAD in.	PART NUMBER R
1/4	615 810 6590
3/8	615 810 6600
1/2	615 810 6610



HOSE CONNECTION mm	PART NUMBER
6	615 810 8710
8	615 810 8620
10	615 810 8630
13	615 810 8640



MALE THREAD in.	PART NUMBER R
1/4	615 810 6810
3/8	615 810 6820
1/2	615 810 6830



FEMALE THREAD in.	PART NUMBER R
1/4	615 810 6840
3/8	615 810 6850
1/2	615 810 6870



HOSE CONNECTION mm	PART NUMBER
6	615 810 6970
8	615 810 6880
10	615 810 6890
13	615 810 6900

SAFETY COUPLINGS

EURO 7.6mm / Max air flow capacity 72 cfm - 34 l/s (Delta 7.2 psi / 0.5 bar)
Economical air flow 47 cfm - 22 l/s (Delta 2.9 psi (0.2 bar))



HOSE CONNECTION	PART NUMBER BSP
6	615 811 1660
8	615 811 1670
10	615 811 1680
12,5	615 811 1690



MALE THREAD in.	PART NUMBER BSP
1/4	615 811 1700
3/8	615 811 1710
1/2	615 811 1720



FEMALE THREAD in.	PART NUMBER BSP
1/4	615 811 1740
3/8	615 811 1750
1/2	615 811 1760

Nipples Euro
7.6mm
see page 16



EURO 10.4mm / Max air flow capacity 134 cfm - 62 l/s (Delta 7.2 psi / 0.5 bar)
Economical air flow 86.2 cfm - 40.7 l/s (Delta 2.9 psi (0.2 bar))



HOSE CONNECTION	PART NUMBER BSP
10	615 811 1840
13	615 811 1850
16	615 811 1860



MALE THREAD in.	PART NUMBER BSP
1/4	615 811 1870
3/8	615 811 1880
1/2	615 811 1890



FEMALE THREAD in.	PART NUMBER BSP
1/2	615 811 1900

Nipples Euro
10.4mm
see page 16



CLAW COUPLINGS

Economical air flow 593 cfm - 280 l/s



MALE THREAD	PART NUMBER	
	NPT	BSP
3/8"	615 810 9070	615 810 9030
1/2"	615 810 9080	615 810 9040
3/4"	615 810 9090	615 810 9050
1"	615 810 9100	615 810 9060



FEMALE THREAD	PART NUMBER	
	NPT	BSP
3/8"	615 810 9150	615 810 9110
1/2"	615 810 9160	615 810 9120
3/4"	615 810 9170	615 810 9130
1"	615 810 9180	615 810 9140



HOSE CONNECTION	PART NUMBER	
	US Universal	DIN Standard 3489
1/4" (6.5mm)	-	615 810 9190
3/8" (10mm)	615 810 9270	615 810 9200
1/2" (13mm)	615 810 9280	615 810 9210
5/8" (16mm)	-	615 810 9220
3/4" (19mm)	615 810 9290	615 810 9230
1" (25.4mm)	615 810 9300	615 810 9240

Couplings



QUICK RELEASE COUPLINGS - EURO SERIES: EUROPE

EURO 7.6mm / Max air flow capacity 72 cfm - 34 l/s (Delta 7.2 psi / 0.5 bar)
 Economical air flow 40 cfm - 19 l/s (Delta 2.9 psi : 0.2 bar)

MALE THREAD in.	PART NUMBER BSP
1/4	615 811 0720
3/8	615 811 0730
1/2	615 811 0740

FEMALE THREAD in.	PART NUMBER BSP
1/4	615 811 0750
3/8	615 811 0760
1/2	615 811 0770

HOSE CONNECTION mm	PART NUMBER HOSE
6	615 811 0780
8	615 811 0790
10	615 811 0800
13	615 811 0810

Nipples Euro
7.6mm
see page 16



EURO 10.4mm / Max air flow capacity 121 cfm - 57 l/s (Delta 7.2 psi / 0.5 bar)
 Economical air flow 78 cfm - 37 l/s (Delta 2.9 psi / 0.2 bar)

MALE THREAD in.	PART NUMBER BSP
1/4	615 811 0820
3/8	615 811 0830
1/2	615 811 0840

FEMALE THREAD in.	PART NUMBER BSP
1/4	615 811 0850
3/8	615 811 0860
1/2	615 811 0870

HOSE CONNECTION mm	PART NUMBER HOSE
6	615 811 0880
8	615 811 0890
10	615 811 0900
13	615 811 0910

Nipples Euro
10.4mm
see page 16



QUICK RELEASE COUPLINGS - ISO 6150B MIL-C4109: NORTH AMERICA, FRANCE, ITALY

ISO 6150B 6mm / Max air flow capacity 32 cfm - 15 l/s (Delta 7.2 psi / 0.5 bar)
 Economical air flow 23.3 cfm - 11 l/s (Delta 2.9 psi / 0.2 bar)

MALE THREAD in.	PART NUMBER NPT
1/4	615 811 0420
3/8	615 811 0430
1/2	615 811 0440

FEMALE THREAD in.	PART NUMBER NPT
1/4	615 811 0450
3/8	615 811 0460
1/2	615 811 0470

HOSE CONNECTION mm	PART NUMBER
6	615 811 0480
8	615 811 0490
10	615 811 0500
13	615 811 0510

Nipples ISO 6150B
6mm
see page 17



ISO 6150B 8mm / Max air flow capacity 63 cfm - 30 l/s (Delta 7.2 psi / 0.5 bar)
 Economical air flow 42 cfm - 20 l/s (Delta 2.9 psi / 0.2 bar)

MALE THREAD in.	PART NUMBER NPT
1/4	615 811 0520
3/8	615 811 0530
1/2	615 811 0540

FEMALE THREAD in.	PART NUMBER NPT
1/4	615 811 0550
3/8	615 811 0560
1/2	615 811 0570

HOSE CONNECTION mm	PART NUMBER
6	615 811 0580
8	615 811 0590
10	615 811 0600
13	615 811 0610

Nipples ISO 6150B
8mm
see page 17



ISO 6150B 11mm / Max air flow capacity 127 cfm - 60 l/s (Delta 7.2 psi / 0.5 bar)
 Economical air flow 85 cfm - 40 l/s (Delta 2.9 psi / 0.2 bar)

MALE THREAD in.	PART NUMBER NPT
1/4	615 811 0620
3/8	615 811 0630
1/2	615 811 0640

FEMALE THREAD in.	PART NUMBER NPT
1/4	615 811 0650
3/8	615 811 0660
1/2	615 811 0670

HOSE CONNECTION mm	PART NUMBER
10	615 811 0680
13	615 811 0690
16	615 811 0700
19	615 811 0710

Nipples ISO 6150B
11mm
see page 17



QUICK RELEASE COUPLINGS - ASIA 7.5MM: JAPAN, CHINA, INDIA

ASIA 7.5mm / Max air flow capacity 36 cfm - 17 l/s (Delta 7.2 psi / 0.5 bar)
 Economical air flow 23.3 cfm - 11 l/s (Delta 2.9 psi / 0.2 bar)

MALE THREAD in.	PART NUMBER R
1/4	615 811 0320
3/8	615 811 0330
1/2	615 811 0340

FEMALE THREAD in.	PART NUMBER R
1/4	615 811 0350
3/8	615 811 0360
1/2	615 811 0370

HOSE CONNECTION mm	PART NUMBER
6	615 811 0380
8	615 811 0390
10	615 811 0400
13	615 811 0410

Nipples ASIA
7.5mm
see page 18



Connecting Accessories

BALL VALVES

Suitable for air, water and many other liquids and gases.



DESCRIPTION	FEMALE THREAD	PART NUMBER	
	in.	NPT	BSP
CP BAL 08	1/4	615 810 9490	615 810 9410
CP BAL 10	3/8	615 810 9500	615 810 9420
CP BAL 15	1/2	615 810 9510	615 810 9430
CP BAL 20	3/4	615 810 9520	615 810 9440
CP BAL 25	1	615 810 9530	615 810 9450
CP BAL 32	1-1/4	-	615 810 9460
CP BAL 40	1-1/2	-	615 810 9470
CP BAL 50	2	-	615 810 9480

360° SWIVEL AIR INLET

Aimed to improve the working ergonomics, Air flex connectors can rotate 360° eliminating efforts when working in cramped spaces



	PART NUMBER
Swivel	894 015 8412

* Air Inlet: 1/4" BSP

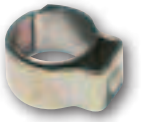
AIR FLEX

Aimed to improve the working ergonomics, Air flex connectors can rotate 360° eliminating efforts when working in cramped spaces



MULTI DIRECTION SWIVEL CONNECTOR	MAX RECOMMENDED FLOW		PART NUMBER		
	cfm	l/s	BSP	NPT	R
1/4"	25	12	615 804 7460	615 804 7470	615 995 5590
3/8"	74	35	615 804 7480	615 804 7490	615 995 5570
1/2"	74	35	615 804 7500	615 804 7510	615 995 5580

SIMPLE PRESSURE CLAMPS (TO BE USED WITH PLYERS)



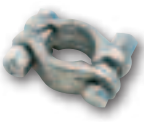
DESCRIPTION		FOR EFFI		FOR PVC		PART NUMBER
in.	mm	ID in.	IDxOD mm	ID in.	IDxOD mm	
0.204-0.244	5.2-6.2	-	-	-	-	615 810 9790
0.232-0.276	5.9-7.0	-	-	-	-	615 810 9800
0.276-0.334	7.0-8.5	-	-	1/8	3x7	615 810 9810
0.334-0.393	8.5-10	1/4	6x9	3/16	5x9	615 810 9820
0.386-0.464	9.8-11.8	5/16	8x10	1/4	6x11	615 810 9830
0.445-0.523	11.3-13.3	5/16	8x12	5/16	8x12	615 810 9840
0.504-0.583	12.8-14.8	3/8	10x13 / 10x14	3/8	9.5x13 / 10x14	615 810 9850
0.575-0.661	14.6-16.8	1/2	13x16.5	3/8	10x16	615 810 9860
0.650-0.740	16.5-18.8	1/2	13x18	1/2	13x18	615 810 9870
0.709-0.799	18.0-20.3	1/2	13x18.6	1/2	12.5x19	615 810 9880
0.795-0.898	20.2-22.8	5/8	16x21	5/8	16x22	615 810 9890
0.866-0.976	22.0-24.8	3/8	16x22.5	5/8	16x23	615 810 9900
0.917-1.035	23.3-26.3	3/4	20x24	-	-	615 810 9910
1.043-1.181	26.5-30.0	-	-	3/4	20x26.6	615 810 9920
1.173-1.303	29.8-33.1	1	25x31	1	25x32	615 810 9930

PRESSURE CLAMP WITH SCREW



DESCRIPTION		FOR EFFI	FOR PVC RUBBER & POLYURETHANE	PART NUMBER
in.	mm	ID in.	ID in.	
0.31-0.55	8-14	1/4-5/16	1/8-1/4-5/16	615 804 6730
0.43-0.67	11-17	3/8	3/8	615 804 6740
0.51-0.79	13-20	1/2	1/2	615 804 6750
0.59-0.94	15-24	-	-	615 804 6760
0.75-1.10	19-28	5/8	5/8	615 804 6770
0.87-1.26	22-32	3/4	3/4	615 804 6780
1.02-1.50	26-38	-	-	615 810 9940
1.26-1.73	32-44	1	1	615 810 9950
1.50-1.97	38-50	-	-	615 810 9960
1.97-2.56	50-65	-	-	615 810 9970

HEAVY DUTY PRESSURE CLAMP FOR RUBBER

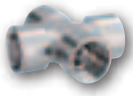


DESCRIPTION		FOR EFFI MAX	FOR RUBBER	PART NUMBER
in.	mm	ID in.	ID in.	
0.87-0.98	22-25	5/8	5/8	615 811 0050
0.98-1.10	25-28	3/4	3/4	615 811 0060
1.14-1.26	29-32	-	-	615 811 0070
1.34-1.50	34-38	-	1	615 811 0080

Fittings



PIPE CROSS - 4 female threads



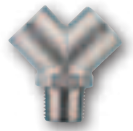
THREAD FEMALE in.	PART NUMBER BSP
1/4	894 016 9417
3/8	894 016 9418
1/2	894 016 9419

CROSS - 3 female thread / 1 male thread



THREAD		PART NUMBER BSP
FEMALE in.	MALE in.	
1/4	1/4	894 016 9420
3/8	3/8	894 016 9421
1/2	1/2	894 016 9422

Y CONNECTION - 2 female outlet - 1 male inlet



THREAD		PART NUMBER BSP
FEMALE in.	MALE in.	
1/4	1/4	894 016 9423
3/8	3/8	894 016 9424
1/2	1/2	894 016 9425

PIPE ELBOW



THREAD		PART NUMBER BSP
FEMALE in.	FEMALE in.	
1/4	1/4	894 016 9426
3/8	3/8	894 016 9427
1/2	1/2	894 016 9428
3/4	3/4	894 016 9429
1	1	894 016 9430

TEE - 2 female outlet - 1 female inlet



THREAD FEMALE in.	PART NUMBER BSP
1/4	894 016 9431
3/8	894 016 9432
1/2	894 016 9433
3/4	894 016 9434
1	894 016 9435

TEE - 2 female outlet - 1 male inlet



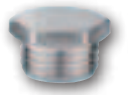
THREAD		PART NUMBER BSP
FEMALE in.	MALE in.	
1/4	1/4	894 016 9436
3/8	3/8	894 016 9437
1/2	1/2	894 016 9438
3/4	3/4	894 016 9439
1	1	894 016 9440

TEE - 2 female outlet 90° - 1 male inlet



THREAD		PART NUMBER BSP
FEMALE in.	MALE in.	
1/4	1/4	894 016 9441
3/8	3/8	894 016 9442
1/2	1/2	894 016 9443

HEX HEAD PLUG



THREAD MALE in.	PART NUMBER BSP
1/4	894 016 9444
3/8	894 016 9445
1/2	894 016 9446
3/4	894 016 9447
1	894 016 9448

CONNECTOR REDUCER



THREAD		PART NUMBER BSP
MALE in.	FEMALE in.	
1/4	1/8	894 016 9449
3/8	1/4	895 101 1823
1/2	1/4	895 101 1839
1/2	3/8	895 101 1828
3/4	1/2	894 016 9450
1	3/4	894 016 9451

CONNECTOR REDUCER BRASS



THREAD		PART NUMBER BSP
MALE in.	FEMALE in.	
1/8	1/4	894 016 9452
1/4	3/8	894 016 9453
3/8	1/2	894 016 9454

DOUBLE CONNECTOR



THREAD		PART NUMBER BSP
MALE in.	MALE in.	
1/8	1/8	894 016 9455
1/8	1/4	894 016 9456
1/4	1/4	895 101 1822
1/4	3/8	895 101 1824
3/8	3/8	895 101 1821
3/8	1/2	895 101 1825
1/2	1/2	895 101 1827
1/2	3/4	894 016 9457
3/4	3/4	894 016 9458
3/4	1	894 016 9459
1	1	894 016 9460

ADAPTERS



THREAD		PART NUMBER
MALE BSP	FEMALE NPT	
1/8	1/8	61103
1/4	1/4	181523
3/8	3/8	894 016 9797

Fittings

HOSE STEMS



INNER HOSE DIAMETER		PART NUMBER BSP
in.	mm	
1/4	6	895 101 1798
3/8	9	895 101 1799
1/2	13	895 101 1800

HOSE CONNECTION

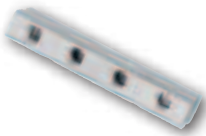


THREAD INNER		PART NUMBER BSP
male in.	hose diameter	
1/4	6mm	895 101 1801
1/4	9mm	895 101 1802
3/8	9mm	895 101 1803
3/8	13mm	895 101 1804
1/2	13mm	895 101 1805
1/2	16mm	895 101 1806



MANIFOLD

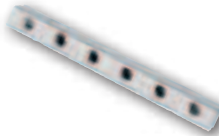
3/8 inlet on each side - 1/4 outlets 1 side for couplings



CONNECTION THREAD		OUTLET NUMBER	PART NUMBER BSP
inlet in.	outlet in.		
3/8	1/4	4	894 016 9410
3/8	1/4	5	894 016 9411
3/8	1/4	6	894 016 9412

MANIFOLD

3/8 inlet on each side - 1/4 outlets both side couplings



CONNECTION THREAD		OUTLET NUMBER	PART NUMBER BSP
inlet in.	outlet in.		
3/8	1/4	4	894 016 9413
3/8	1/4	6	894 016 9414
3/8	1/4	8	894 016 9415
3/8	1/4	10	894 016 9416

LUBRICATION

OIL PROTECTO-LUBE



DESCRIPTION		PART NUMBER
4 oz (0.12 l)	Air Tool Oil	CA149661
20.8 oz (0.591 l)	Air Tool Oil	CA000046
1gal. (3.8 l)	Airoilene oil	P089507

MINI OILER



DESCRIPTION	PART NUMBER
THREAD 1/4" NPT	205 052 4123
THREAD 3/8" NPT	205 052 4293

OTHER ACCESSORIES

AIR FLOW REGULATOR



DESCRIPTION	PART NUMBER
Economic flow regulator 1/4" NPT	LC121737
Heavy-duty flow regulator 1/4" NPT	CA085203

BLOW GUN



DESCRIPTION	PART NUMBER
Blow gun standard	615 811 2690
Blow gun standard silencer	615 811 2700
Blow gun extended nozzle	615 811 2710
Blow gun extended nozzle silencer	615 811 2720

All models: Air inlet 1/4"BSP

Other Accessories

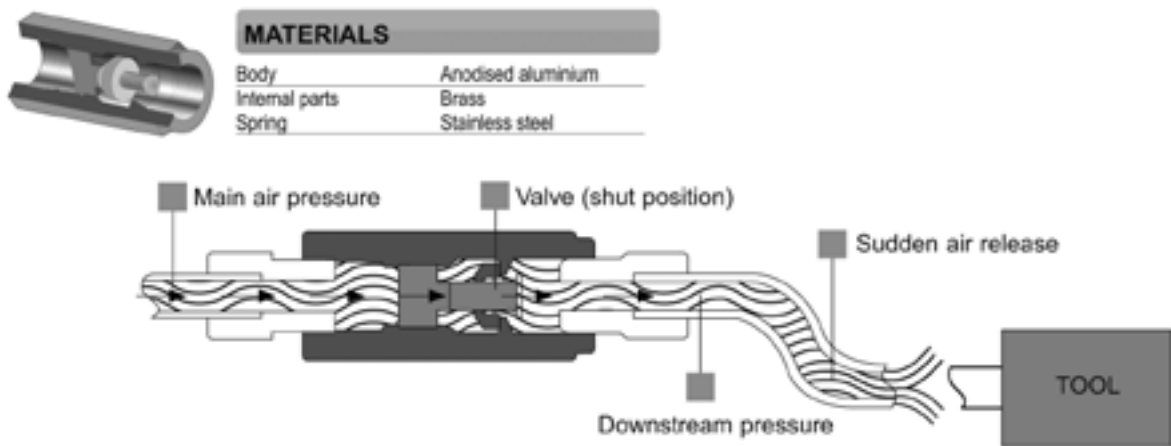
AIR FUSES

When a fitting comes loose from a pressurized hose or the hose is damaged, the hose starts to blow an excessive amount of air in an uncontrolled way, causing hose whip. This can cause injury, and damage to the workpiece and environment.

A way to ensure that this doesn't happen is to use an Air Fuse. It reduces the likelihood of potentially dangerous hose whip

caused when a hose bursts or a fitting becomes detached. It quickly shuts off the supply and resets automatically as soon as back pressure in the line downstream is restored.

Air Fuses help to meet OSHA requirement 1926.302 (USA) and may eliminate the need for restraining or shielding hose, as required by European Standard EN983.



- Reduces risk of hose whip, helping to protect personnel
- Simple and reliable design
- High life expectancy

- Aluminium anodised body for high corrosion resistance
- Auto-Reset to restart downstream activity with the minimum downtime

PORT SIZE	PRESSURE DROP AT SHUT OFF FLOW		SHUT OFF FLOW RATE AT 7 BAR		TOOL MAXIMUM AIR FLOW		FOR FLOW RATES	PART NUMBER	
	bar	psi	l/s	cfm	l/s	cfm		in.	BSP
1/4"	0.14	2.03	7.8	16.4	5.0	10.5	Low	615 811 2420	615 811 2450
1/4"	0.30	4.35	13.0	27.3	10.0	21.0	High	110402	615 811 2460
3/8"	0.14	2.03	18.0	37.8	10.0	21.0	Low	110422	615 811 2470
3/8"	0.30	4.35	32.0	67.2	25.0	52.5	High	110432	615 811 2480
1/2"	0.30	4.35	45.0	94.5	35.0	73.5	High	110442	615 811 2490
3/4"	0.30	4.35	75.0	157.5	60.0	126.0	High	615 811 2430	615 811 2500
1"	0.30	4.35	86.0	180.6	70.0	147.0	High	615 811 2440	110542

TEST EQUIPMENT

AIR TOOL SIMULATOR



DESCRIPTION	PART NUMBER
Air tool simulator	615 811 0090

To check whether the pressure or air flow is sufficient. The air tool simulator will be connected instead of the pneumatic tool. Supplied with different connections.

Balancers

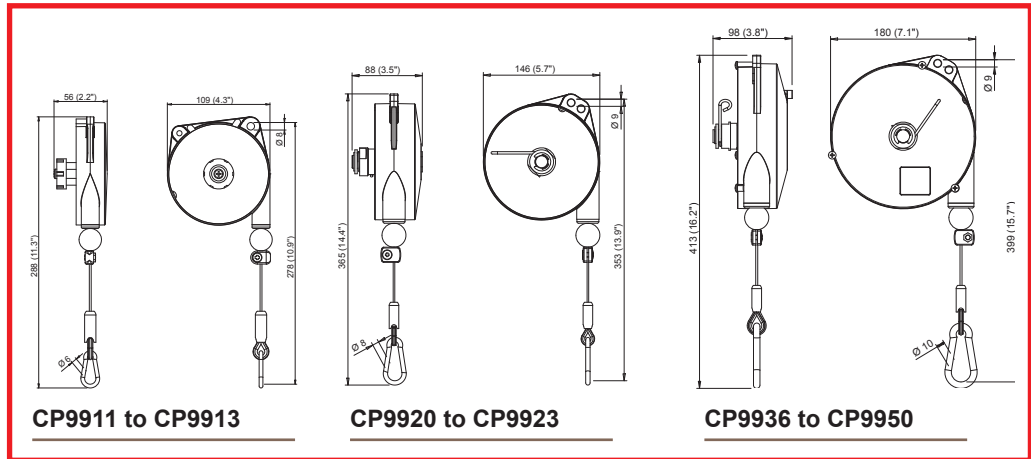
BALANCERS - CP9911 to CP9950

The CP balancers are premium quality products developed to take the weight of the tool away from the operator's arm. They eliminate stress and fatigue and help improve productivity. Ideally suited for heavy tools and and/or repetitive tasks.



Spring retractor:

- . Cylindrical shape
- . Automatic load retraction
- . Working area remains free
- . Cable made of stainless steel
- . Aluminium housing
- . 5.2 to 8.2 ft (1,600 to 2,500 mm) cable stroke



MODEL	LOAD RANGE		STROKE		NET WEIGHT		PART NUMBER
	lb.	kg	ft	mm	lb.	kg	
Light duty balancers							
CP9911	0.8-2.2	0.4-1.0	5.2	1,600	1.3	0.6	894 109 9110
CP9912	2.2-4.4	1.0-2.0	5.2	1,600	1.3	0.6	894 109 9120
CP9913	4.4-6.6	2.0-3.0	5.2	1,600	1.5	0.7	894 109 9130
Medium duty balancers							
CP9920	2.2-5.5	1.0-2.5	6.5	2,000	4.4	2.0	894 109 9200
CP9921	4.4-8.8	2.0-4.0	6.5	2,000	4.4	2.0	894 109 9210
CP9922	8.8-13.2	4.0-6.0	6.5	2,000	5.1	2.3	894 109 9220
CP9923	13.2-17.6	6.0-8.0	6.5	2,000	2.5	5.5	894 109 9230
Medium duty balancers							
CP9936	4.4-8.8	2.0-4.0	8.2	2,500	6.4	2.9	894 109 9360
CP9937	8.8-13.2	4.0-6.0	8.2	2,500	7.1	3.2	894 109 9370
CP9938	13.2-17.6	6.0-8.0	8.2	2,500	7.7	3.5	894 109 9380
CP9939	17.6-22.0	8.0-10	8.2	2,500	8.2	3.7	894 109 9390
CP9940	22.0-30.8	10-14	8.2	2,500	8.8	4.0	894 109 9400
CP9946*	4.4-8.8	2.0-4.0	8.2	2,500	6.6	3.0	894 109 9460
CP9947*	8.8-13.2	4.0-6.0	8.2	2,500	7.3	3.3	894 109 9470
CP9948*	13.2-17.6	6.0-8.0	8.2	2,500	7.9	3.6	894 109 9480
CP9949*	17.6-22.0	8.0-10	8.2	2,500	8.4	3.8	894 109 9490
CP9950*	22.0-30.8	10-14	8.2	2,500	8.8	4.0	894 109 9500

* Equipped with a stroke locking device

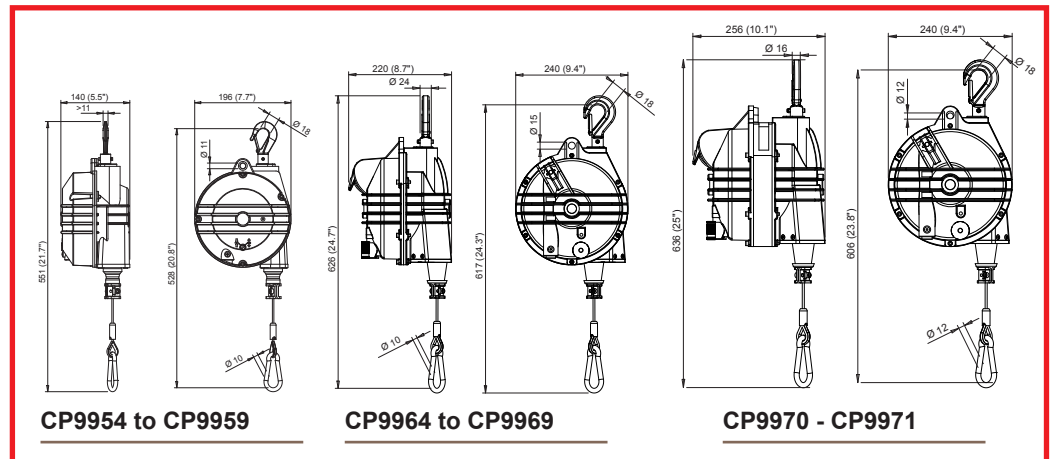
Balancers

BALANCERS - CP9954 to CP9971



Reaction free:

- . Conical shape
- . Constant retracting force
- . Holds the selected height
- . Cable made of stainless steel
- . Aluminium housing
- . 6.5 ft (2,000mm) cable stroke



MODEL	LOAD RANGE		STROKE		NET WEIGHT		PART NUMBER
	lb.	kg	ft	mm	lb.	kg	
Medium duty to heavy duty balancers							
CP9954	8.8-15.4	4.0-7.0	6.5	2,000	11.0	5.0	894 109 9540
CP9955	15.4-22	7.0-10	6.5	2,000	12.1	5.5	894 109 9550
CP9956	22-30.9	10-14	6.5	2,000	12.1	5.5	894 109 9560
CP9957	31-39.7	14-18	6.5	2,000	14.3	6.5	894 109 9570
CP9958	39.7-48.5	18-22	6.5	2,000	13.2	6.0	894 109 9580
CP9959	48.5-55	22-25	6.5	2,000	14.6	6.6	894 109 9590
Heavy duty balancers							
CP9964	55-66	25-30	6.5	2,000	25.4	11.5	894 109 9640
CP9965	66-77	30-35	6.5	2,000	26.0	11.8	894 109 9650
CP9966	77-99	35-45	6.5	2,000	27.3	12.4	894 109 9660
CP9967	99-121	45-55	6.5	2,000	27.6	12.5	894 109 9670
CP9968	121-143	55-75	6.5	2,000	30.0	13.6	894 109 9680
CP9969	143-165	65-75	6.5	2,000	32.0	14.5	894 109 9690
Super heavy duty balancers							
CP9970	165-198	75-90	6.5	2,000	38.1	17.3	894 109 9700
CP9971	198-231	90-105	6.5	2,000	39.7	18.0	894 109 9710

Notes



Over 110 years of experience

Since 1901 the Chicago Pneumatic (CP) name has represented reliability and attention to customer needs, with construction, maintenance and production tools and compressors designed for specific industrial applications. Today, CP has a global reach, with local distributors around the world.

Our people start every single day with a passion to research, develop, manufacture and deliver new products that are meant to meet your needs not only today, but tomorrow as well.
To learn more, visit www.cp.com.